

Penta Repeater

Repeater for PentaFOB® and PentaCODE® remotes

Features

- Increases operating range of PentaFOB® and PentaCODE® remotes
- Stronger signal penetration in multi-story buildings
- Multiple repeaters can be used in the same area
- Operating distance of 500 metres possible



Applications

- Keyless access control for automatic gates
 - Car installation to booster remote control signal
 - Security, lighting and nursing homes
- and anywhere else you need a boosted wireless signal to transmit a contact closure

Description

The Penta Repeater, intelligently repeats the transmission from the PentaFOB® and PentaCODE® remote's. The repeated signal is with high RF power which can increase the operating range of the remote to 500 metres. The repeater can be powered either by the micro USB connection or 12-24 Volts AC/DC supply.

If multiple repeaters are used for the same application, each repeater can be given different addresses with the digital display.

The repeaters memory can be backed up using the PentaFOB programmer.

Technical Data

Supply Voltage	Micro USB or 12 to 28 Volts AC or DC
Standby Current	25mA stand by at 12VDC
Frequencies	433.100 to 434.700MHz
Operating Temperature Range	-5 to 50°C
Stored Remotes	Unlimited Remotes
Antenna	433Micro (supplied). For improved performance, use 433Mini antenna
Operating Range	500 metres with ANT433S
Dimensions	102 x 53 x 29 mm

Compatible Remotes

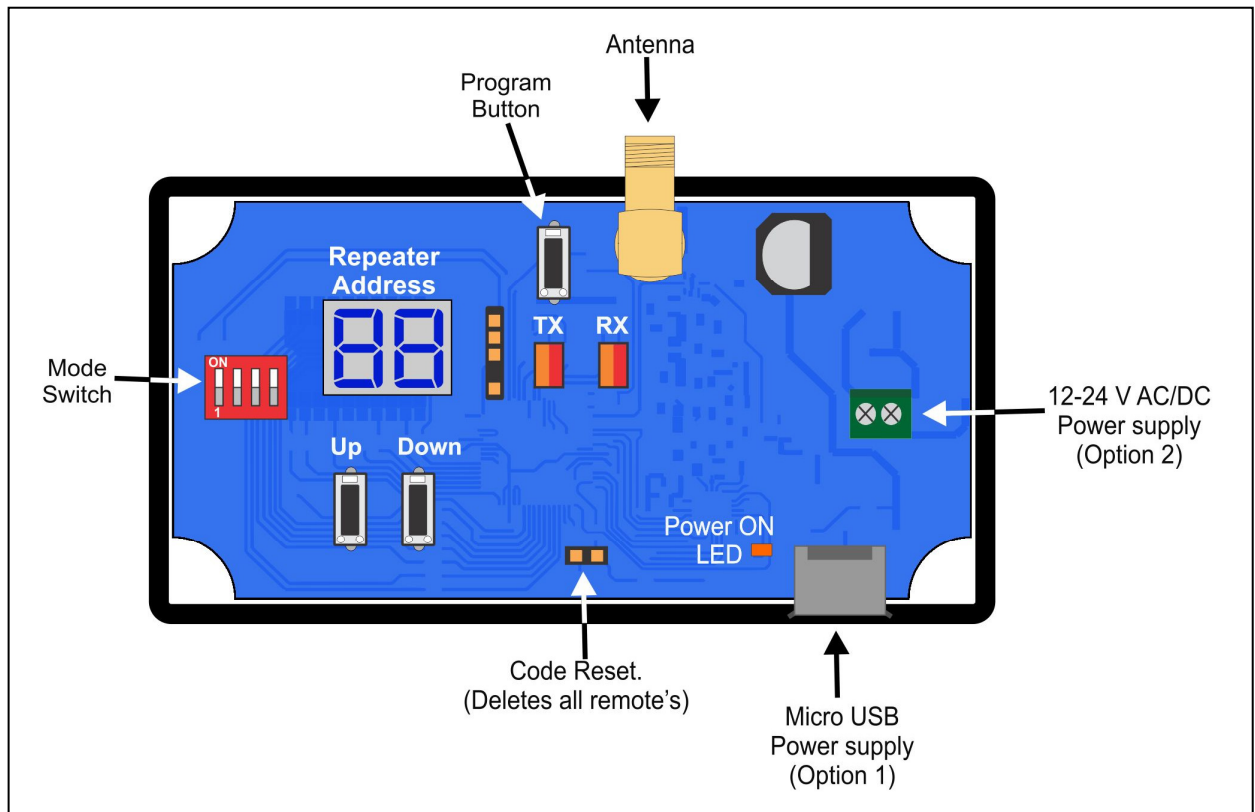
PentaFOB® Series



PentaCODE® Series



Block Diagram



Program Remotes

1. Make sure power is connected to the repeater and the “Power ON” LED is on
2. Press and hold the program button on the repeater
3. Press the remote button for 2 seconds, TX LED will flash and then turn Green
4. Release the button on the repeater and the remote
5. Press remote control button to test.

Set the Repeater Address

If more than one repeater is used, each repeater should have a different address. **Do not have multiple repeaters with the same address.** To change the repeater address Press “Up” or “Down” button. You can set the address from 1 to 99.

The repeater address display switches “OFF” after some time. Press “UP” or the “DOWN” button to turn “On” the address display.

The repeater closest to the receiver should be addressed as 1. Each repeater will repeat the signal from another repeater which has a higher address than it.





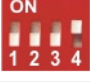
For example: Repeater 3 will only repeat signals from repeater 4, 5, 6 and so on.

Code Change

Shorting these 2 pins for 10sec will delete **all programmed remotes.**

Repeater Mode Selection

Remotes have to be programmed to the repeater.

	Repeater will repeat PentaFOB® and PentaCODE® (Encrypted) remotes
	Repeater will repeat PentaCODE® (Dipswitch) remotes
	Reserved for Custom modes
	Reserved for Custom modes
	Reserved for Custom modes

Customised Software

Custom modes can be programmed to do special functions. Call Elsema for more details.

Dimension

